

## LED Multi Watt Multi CCT V2 Down Light Series



6"

7W, 10W and 18W



8"

10W, 15W and 22W



9.5"

20W, 25W and 32W



### FEATURES

- Commercial grade
- IP rating of 20
- Wattage selectable
- CCT selectable
- CRI 90
- 50,000 hours lifetime

### SUITABLE APPLICATIONS

- Kitchens
- Bedrooms
- Bathrooms
- Corridors
- Hallways
- Museums

### CONSTRUCTION:

Downlight body and endcaps are both fabricated from aluminum for maximum rigidity. Lightweight aluminum heat sink designed to perform naturally convective cooling.

### OPTICAL SYSTEM:

Lumiled LED chips. General, medium, aisle distributions available to meet both horizontal and vertical light level requirements. 90° beam angle

### WARRANTY:

5-year limited warranty. Actual performance may differ as a result of end-user environment and application.

### ELECTRICAL:

Uses a -20°C to 40°C case temperature drive. 0.90 power factor. Available as 120-277V input.

### INSTALLATION & MOUNTING:

Use torsion spring clips to install in place.

### DIMMING:

Dimmable range from 0-10V.

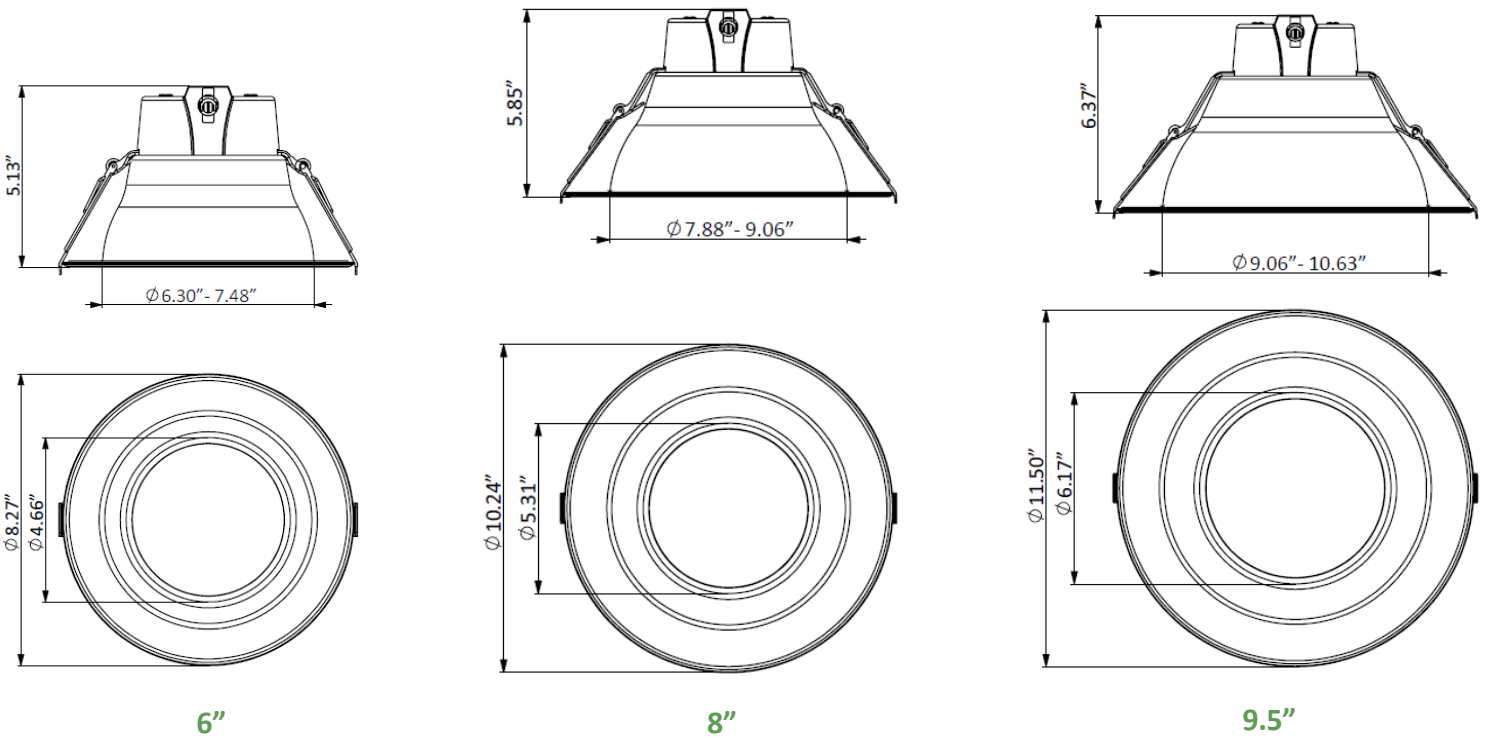


MODEL NUMBER – 3,000K 3,500K 4,000K	WATTAGE	LUMENS	EFFICACY	CRI	POWER FACTOR	REPLACES
LOC-6DL-MW-MCCT-V2	7W / 10W / 18W	700LM / 1,000LM / 1,500LM	83.3LM/W	94	0.98	60W / 100W / 150W
LOC-8DL-MW-MCCT-V2	10W / 15W / 22W	1,000LM / 1,500LM / 2,000LM	90.9LM/W	94	0.97	100W / 150W / 200W
LOC-9.5DL-MW-MCCT-V2	20W / 25W / 32W	2,000LM / 2,500LM / 3,000LM	93.8LM/W	94	0.99	200W / 250W / 300W

# LED MW MCCT DOWN LIGHT SERIES

Series	Size	Wattage Options	CCT Options	Version
LOC-DL	6" 8" 9.5"	7W / 10W / 15W 10W / 15W / 22W 20W / 25W / 32W	3,000K 3,500K 4,000K	2

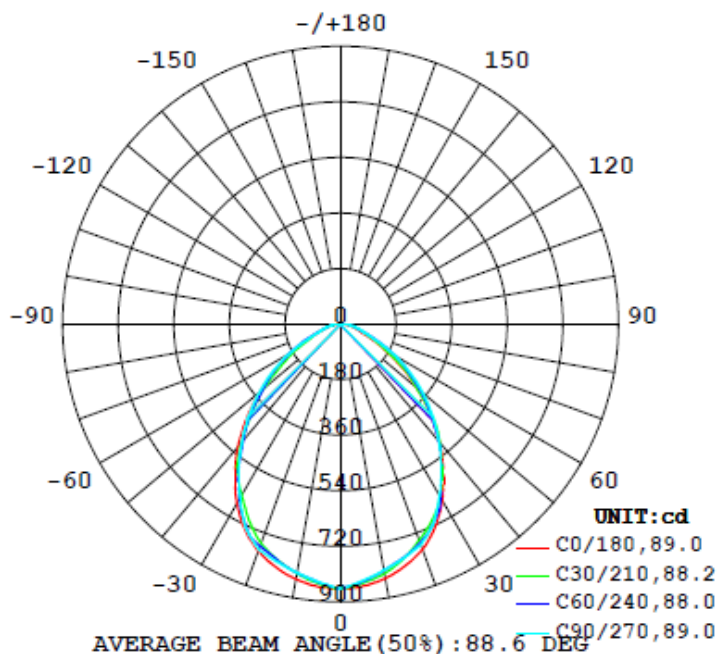
## MEASUREMENTS



MODEL	QUANTITY	WEIGHT	UPC CODE
LOC-6DL-MW-MCCT-V2	1	1.30 lbs	00815586021789
LOC-8DL-MW-MCCT-V2	1	1.51 lbs	00815586021901
LOC-9.5DL-MW-MCCT-V2	1	1.75 lbs	00815586021918

## PHOTOMETRIC DATA

### 6"

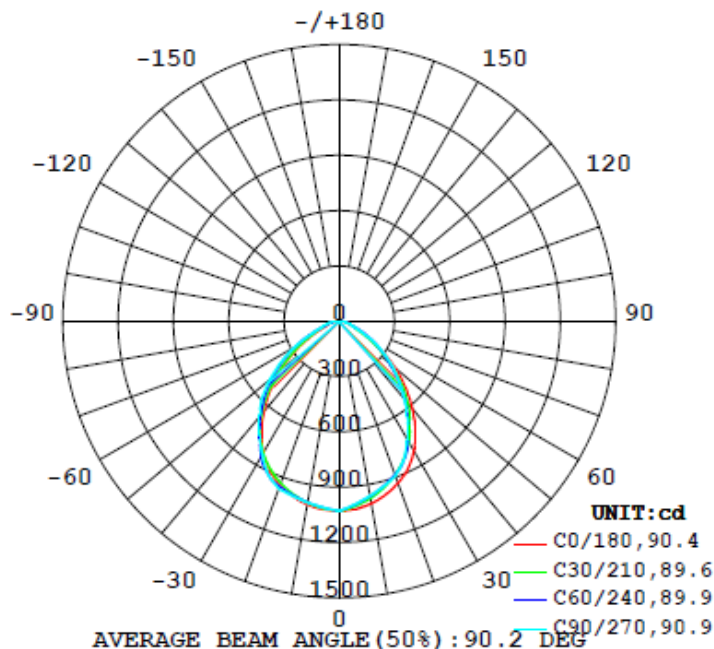


Flux out: 1140 lm

Height	Eavg, Emax	Angle: 88.98deg	Diameter
2ft	93.98, 214.4fc		3.93ft
4ft	23.49, 53.60fc		7.859ft
6ft	10.44, 23.82fc		11.79ft
8ft	5.874, 13.40fc		15.72ft
10ft	3.759, 8.577fc		19.65ft
19.69ft	0.9701, 2.213fc		38.68ft
22.97ft	0.7127, 1.626fc		45.12ft
26.25ft	0.5457, 1.245fc		51.57ft
29.53ft	0.4312, 0.9837fc		58.02ft
32.81ft	0.3492, 0.7968fc		64.46ft

Note: The Curves indicate the illuminated area and the average illumination when the luminaire is at different distance.

### 8"



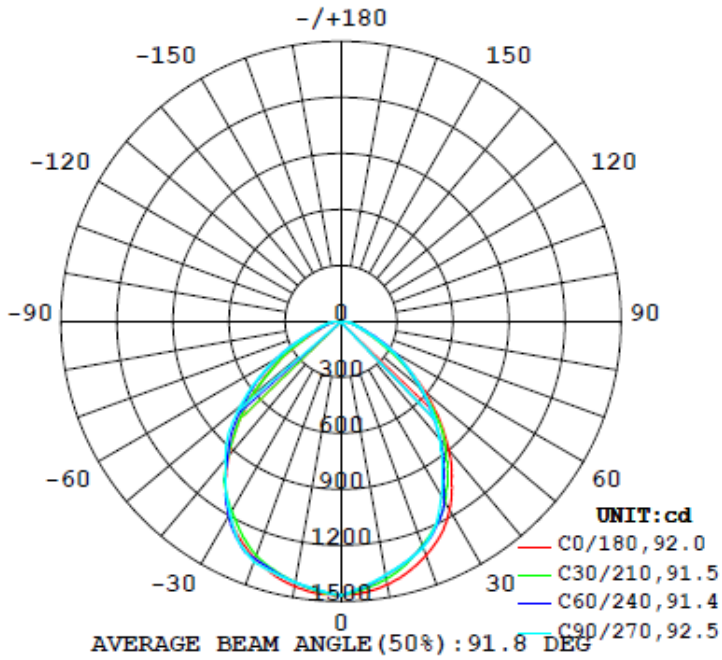
Flux out: 1433 lm

Height	Eavg, Emax	Angle: 90.41deg	Diameter
2ft	110.1, 257.2fc		4.029ft
4ft	27.54, 64.30fc		8.058ft
6ft	12.24, 28.58fc		12.09ft
8ft	6.884, 16.08fc		16.12ft
10ft	4.406, 10.29fc		20.14ft
19.69ft	1.137, 2.655fc		39.65ft
22.97ft	0.8353, 1.951fc		46.26ft
26.25ft	0.6395, 1.493fc		52.87ft
29.53ft	0.5053, 1.180fc		59.48ft
32.81ft	0.4093, 0.9558fc		66.09ft

Note: The Curves indicate the illuminated area and the average illumination when the luminaire is at different distance.

## PHOTOMETRIC DATA

9.5"



Flux out: 2127 lm

Height	Eavg, Emax	Angle: 92.05deg	Diameter
2ft	152.4, 366.8fc		4.146ft
4ft	38.10, 91.70fc		8.292ft
6ft	16.93, 40.75fc		12.44ft
8ft	9.525, 22.92fc		16.58ft
10ft	6.096, 14.67fc		20.73ft
19.69ft	1.573, 3.786fc		40.81ft
22.97ft	1.156, 2.782fc		47.61ft
26.25ft	0.8849, 2.130fc		54.41ft
29.53ft	0.6992, 1.683fc		61.21ft
32.81ft	0.5663, 1.363fc		68.01ft

Note: The Curves indicate the illuminated area and the average illumination when the luminaire is at different distance.

- Flicker-free driver**
- Stong clips for easy installation**
- CCT and lumen selectable**
- L70 rated lifetime 50,000 hours**
- IC and airtight rated, UL listed and UL classified**
- Smooth and uniform lighting distribution**

IC RATED CLASSIFIED US C UL US LISTED